

# QUALITROL® 150/151

## Direct mount thermometers



## Clear and reliable temperature indication

- Corrosion resistant materials and design for long life
- Know temperature history with resettable maximum pointer

### Product Summary

**Description** Side mounting bi-metal thermometers with temperature indication and resettable maximum temperature pointer. Clear indication of temperature with 4" (101 mm) dial. Models can be combined with a well (pocket) to allow units to be replaced without draining or compromising the tank seal. Highly accurate and made of corrosion resistant materials for long, trouble free life.

**Application** For temperature indication where the point of measurement is on the side of the apparatus and is easily viewed. Typically used in conjunction with a well for transformer and other related electrical apparatus applications.



**QUALITROL®**  
Defining Reliability

## QUALITROL® 150/151 direct mount thermometers

### Clear and reliable temperature indication

- 4 inch (101 mm) dial face for clear temperature indication which can be read from a distance
- Measurement accuracy within  $\pm 2\%$  of full scale
- Dampened element provides smooth pointer movement

### Corrosion resistant materials and design for long life

- Stainless steel and brass external parts
- Vented, UV stabilized, polycarbonate lens prevents moisture from accumulating under the lens, keeping the face clear for maximum viewing
- Optional sealed units for highly corrosive, dusty or sea spray applications
- Outer ring lens gasket is held securely by crimped-on stainless steel bezel to form a leak-tight seal to protect the internal mechanism from the environment

### Know temperature history with resettable maximum pointer

- Resettable maximum pointer remains fixed at the highest temperature reached until reset
- Magnetically coupled maximum pointer eliminates potential leak path for life long reliability
- Unsealed models feature case venting to prevent moisture from accumulating under the lens and keeping the face clear for maximum viewing

## Standard QUALITROL 150/151 thermometers and wells

Model No.	Mounting Thread	Dial Range	Probe Length	Well Length	Well Mounting Thread
150-101-01	3/8 in NPT	0-120°C	4.84 in	5.5 in	1/2 in NPT
150-102-01	3/8 in NPT	0-120°C	4.84 in	—	—
150-104-01	3/8 in NPT	0-160°C	4.84 in	5.5 in	1/2 in NPT
150-105-01	3/8 in NPT	0-160°C	4.84 in	—	—
151-103-01	7/8 in-14 UNF-2A	0-120°C	5.84 in	6.62 in	1/2 in NPT
151-106-01	7/8 in-14 UNF-2A	0-160°C	5.84 in	6.62 in	1/2 in NPT



### Don't see what you need?

QUALITROL regularly creates models with special customer requirements. Contact your local sales representative or QUALITROL Application Engineer to review your special requirements.



## TECHNICAL SPECIFICATIONS

<b>Mechanical</b>	Mounting	Side mount
	Standard dial ranges	0-120°C, 0-160°C. Contact factory for additional dial ranges
	Tank connection	3/8 NPT fixed thread (150) or 7/8-14 UNF-2A (151) removable brass union fitting
	Maximum torque installation	Not to exceed 100 lbs/in (11.3 N-m)
	Accuracy	± 2% of dial range

<b>Dimensions</b>	Dial diameter	3.5" (89.7 mm)
	Probe diameter	0.481" (12.22 mm)
	Probe length (150 series)	4 27/32" (123 mm)
	Probe length (151 series)	5 27/32" (148.43mm)
	Well length (150 series)	5.5" (139.7 mm)
	Well length (151 series)	6.62" (168.15 mm)

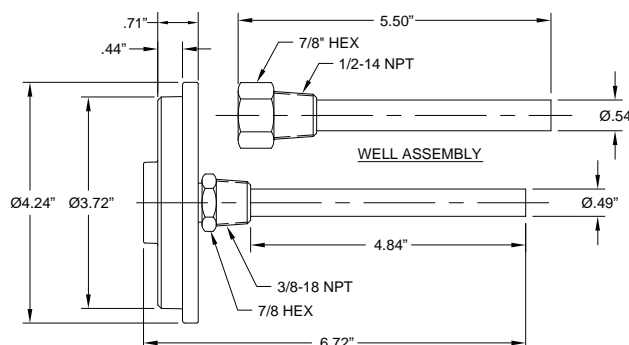
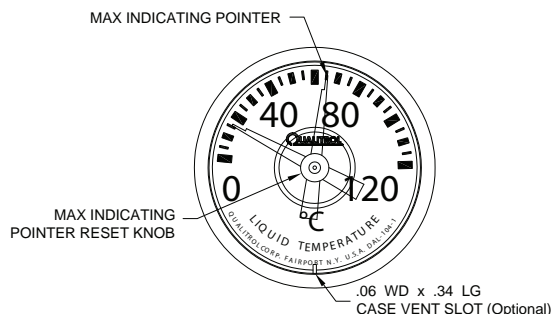
<b>Materials</b>	Case	Stainless steel
	Bezel	Stainless steel
	Dial	Stainless steel
	Lens	UV stabilized polycarbonate
	Gasket material	Neoprene
	Wall	Brass, stainless steel
	Probe	Stainless steel (standard)

<b>Environmental</b>	Ambient operating temperatures	-40 to 140°F (-40 to +60°C)
	Ambient humidity	Up to 90% relative humidity

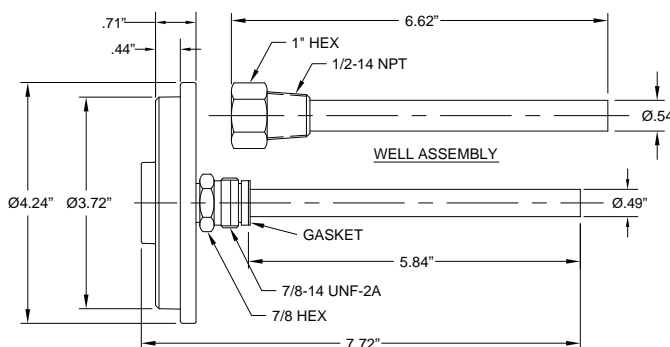
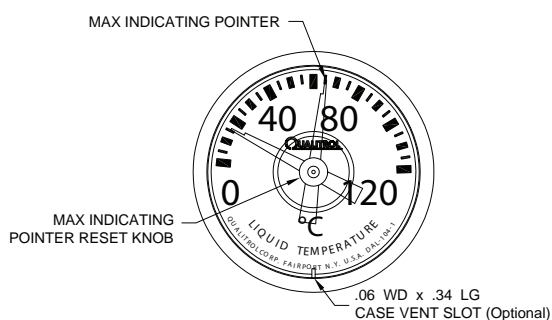


# QUALITROL® 150/151 direct mount thermometers

## 150 Series



## 151 Series



**\*Note:** dimensions are in inches unless otherwise specified

### QUALITROL® Field Services

To further improve reliability, QUALITROL provides comprehensive education and on-site commissioning services, maintenance contracts and technical support to all customers worldwide. Emergency response is available on all products and services.

### About QUALITROL®

QUALITROL Company LLC manufactures substation and transformer monitoring and protection devices used by electric utilities and manufacturing companies. It is the global leader in sales and installations of transformer asset protection equipment, fault recorders and fault locators. Established in 1945, QUALITROL Company produces thousands of different types of products on demand, each customized to customers' unique requirements.

©2008 QUALITROL® Company LLC, an ISO 9001 system certified company. All rights reserved. Information subject to change without notice. All trademarks are properties of their respective companies, as noted herein. AP-T01-01A-01E.