



## Rugged design provides trouble-free over pressure protection

- Meets or exceeds industry standards
- Highly flexible designs for many applications
- Design prevents entry of contaminants

### Product Summary

**Description** Mechanical overpressure protection device provides pressure relief on transformers during overpressure conditions, automatically resealing once pressure has fallen. Available with a stainless steel pull ring attached to the valve shaft to allow for manual operation. Optional exhaust port protection with cover for inhibiting foreign matter from entering the valve body.

**Application** For overpressure protection on transformers, load tap changers and other liquid filled apparatus.



## QUALITROL® 201/202/205 small pressure relief devices

### Rugged design provides trouble-free over pressure protection

- All brass and stainless steel external construction
- Compact, low profile reduces damage risk
- Weather-resistant Viton O-rings withstand decades of service
- Stainless steel pull ring permits safe manual bleeding of pressure

### Meets or exceeds industry standards

- 10 PSIG valves comply with American National Standards (ANSI) C57.12.20.2007

### Highly flexible designs for many applications

- Compatible with hole fittings
- Many sizes of valves allow for a number of installation options including retrofitting older equipment
- Identification on valve makes ordering, installing or referencing hassle-free
- Flow rates available from 35 to 200 SCFM
- Designs accommodate a range of operating pressures (3.5 psi to 35 psi)

### Design prevents entry of contaminants

- Unique configuration inhibits entry of contaminants
- Covers are standard on most valves
- Sunlight, oil and ozone resistant polypropylene or PVC cap on indicator models

## Options and special models

### Harsh environments (201-042-01)



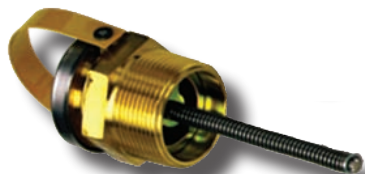
- Designed for harsh environments with an O-ring positioned at the outer end of the body for additional protection of the interior parts and sealing surface from the elements when the valve is closed
- All components are Viton, brass or stainless steel for corrosion resistance
- Pull ring for manual operation
- Flow rate of 35 SCFM @ 15 PSIG
- Operates at  $10 \pm 2$  PSIG
- Available with or without precoated dry thread sealant

### Submersible (202-014)



- Designed for submersible equipment or for corrosive environmental conditions
- All external parts are made of stainless steel or silicon bronze providing excellent corrosion resistance.
- Double O-ring seal to protect against seepage of water into the tank
- Wiping action ensures that the outer protective O-ring is free of contaminants which might prevent the inner O-ring from sealing.
- Flow rate of 65 SCFM @ 15 PSIG.
- Operates at  $10 \pm 2$  PSIG
- Available with or without precoated dry thread sealant

### Greater flow rate (205-007-01)



- Designed for greater flow rate and corrosion resistance
- Standard components include a brass body and valve, stainless steel spring, and a Viton O-ring
- Internal parts are protected from the outside environment by an O-ring seal at the outer end of the valve body.
- Stainless steel pull ring and spring steel operation indicator
- Adjustable pressure rating
- Flow rate of 200 SCFM @ 15 PSIG
- Operates at  $10 \pm 2$  PSIG

### Mounting adaptor kits

- Available for retrofitting equipment without 1/4 - 18 NPT holes
- A 9/16" diameter hole may be punched in the tank wall and ADP-606-1 (palnut) or ADP-603-1 (nut and lock washer) can be applied to install the valve and seal the enclosure



### 201 SERIES TECHNICAL SPECIFICATIONS

<b>Mechanical</b>	Mounting	1/4-18 NPT (standard)
	Hex sizes	11/16", 1"
<b>Environmental</b>	Standard operating temperature	-20 to 220°F (-29 to 105°C)
<b>Materials</b>	Ring	Stainless steel
	Valve body	Stainless steel, brass
	Spring	Stainless steel
	O-ring(s)	Viton
	Hardware	Stainless steel
	Bug shield	Stainless steel
<b>Relief Protection</b>	Flow rate	35 SCFM @ 15 PSIG minimum with 10 PSI operating pressure
	Operating pressure	3.5, 4, 4.5, 5, 6, 8, 10, 12, 15, 20, 35 PSIG

### 202 SERIES TECHNICAL SPECIFICATIONS

<b>Mechanical</b>	Mounting	1/4-18 NPT (standard)
	Hex sizes	3/4", 7/8", 1 1/4"
<b>Environmental</b>	Standard operating temperature	-20 to 220°F (-29 to 105°C)
<b>Materials</b>	Ring	Stainless steel
	Valve body	Stainless steel, brass
	Indicator	Polypropylene, PVC
	Spring	Stainless steel
	O-ring(s)	Viton
	Hardware	Stainless steel
	Bug shield	Stainless steel
<b>Relief Protection</b>	Flow rate	50 SCFM @ 15 PSIG minimum with 10 PSI operating pressure
	Operating pressure	3.5, 5, 6, 7, 8, 9, 10 PSIG

### 205 SERIES TECHNICAL SPECIFICATIONS

<b>Mechanical</b>	Mounting	ISO 228/1-G1A, 1 1/4" - 1 1/2" NPT
	Hex sizes	1 3/4", 1 7/8"
<b>Environmental</b>	Standard operating temperature	-20 to 220°F (-29 to 105°C)
<b>Materials</b>	Ring	Stainless steel
	Valve body	Stainless steel, brass
	Indicator	Polypropylene, PVC
	Spring	Stainless steel
	O-ring(s)	Viton
	Hardware	Stainless steel
	Bug shield	Stainless steel
<b>Relief Protection</b>	Flow rate	200 SCFM @ 15 PSIG minimum with 10 PSI operating pressure
	Operating pressure	2.9 - 11.6 PSIG (20-80 kPa) adjustable as option



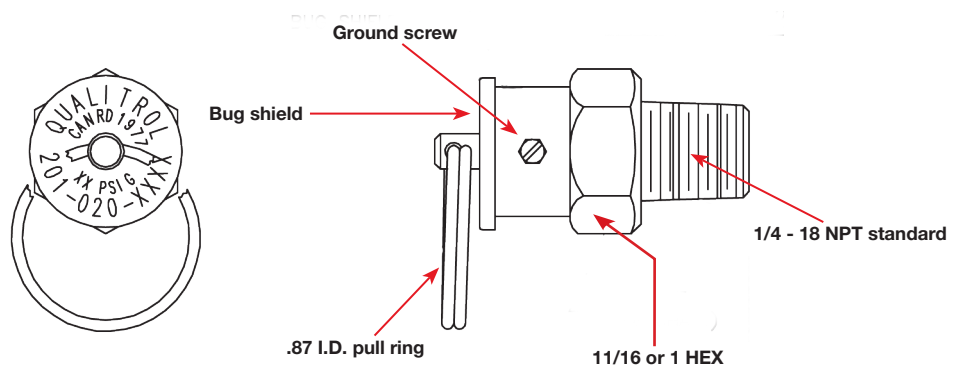
#### Don't see what you need?

QUALITROL regularly creates models with special customer requirements. Contact your local sales representative or QUALITROL Application Engineer to review your special requirements.

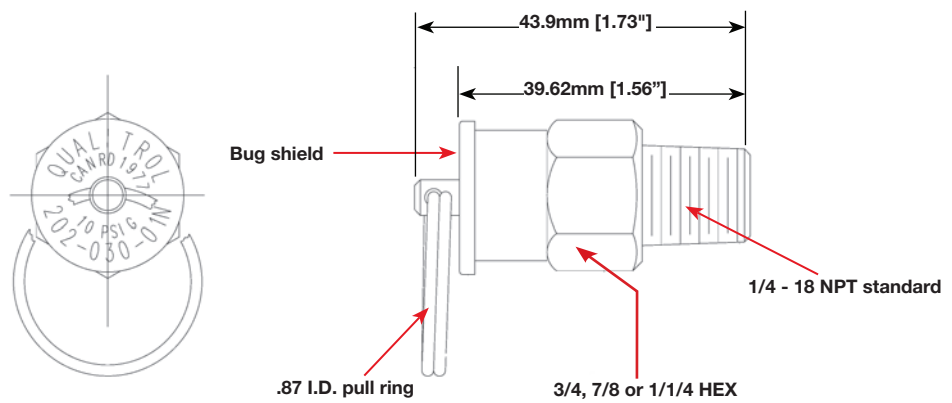


# QUALITROL® 201/202/205 small pressure relief devices

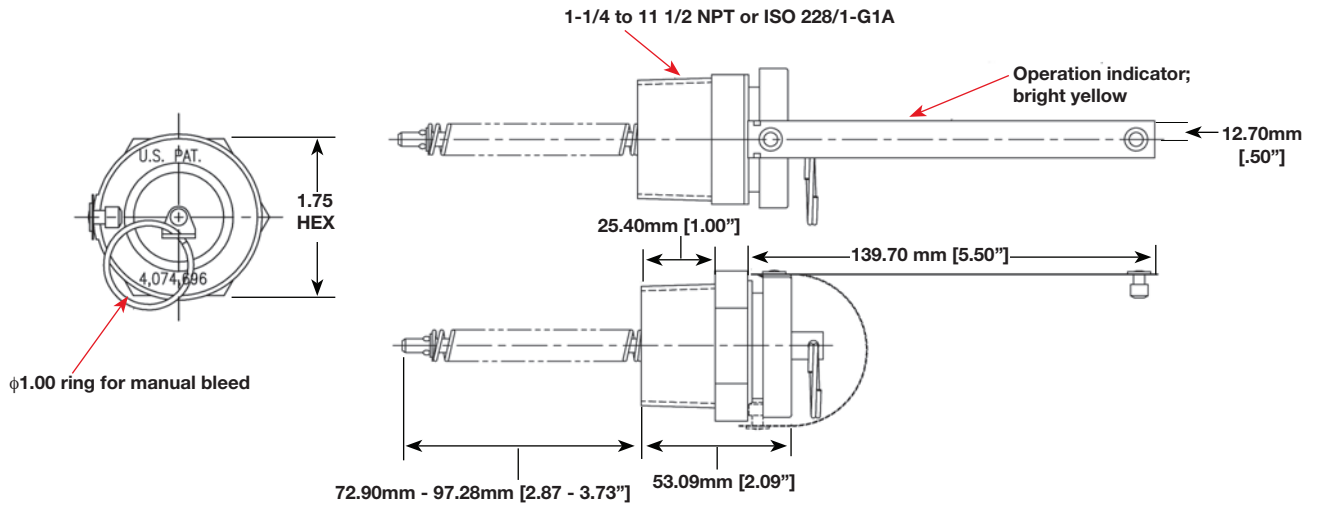
## 201 Series



## 202 Series



## 205 Series



### About QUALITROL®

QUALITROL® manufactures substation transformer monitoring and protection devices used by electric utilities and manufacturing companies. It is the global leader in sales and installations of transformer asset protection equipment, fault recorders and fault locators. Established in 1945, QUALITROL produces thousands of different types of products on demand, each customized to customers' unique requirements.

©2008 QUALITROL Company LLC, an ISO 9001 system certified company. All rights reserved. Information subject to change without notice. All trademarks are properties of their respective companies, as noted herein. AP-P04-01A-01E