

TECHNICAL GUIDE

## Thermostats TWM





# Content Index

|                      |   |
|----------------------|---|
| Application .....    | 4 |
| Technical data ..... | 5 |
| Dimensions.....      | 6 |
| Order sheet.....     | 9 |

# Thermostats TWM

## Application

|                               | Type               | Comem TWM 7284   | Comem TWM 7287   |
|-------------------------------|--------------------|--|--|
| <b>Standard configuration</b> | Features           | Thermostat without capillary                                     | Thermostat with capillary  |
|                               | Scale              | -50°C / +150°C<br>-20°C / +140°C<br>0°C / +120°C<br>0°C / +150°C | -50°C / +150°C<br>-20°C / +140°C<br>0°C / +120°C<br>0°C / +150°C |
|                               | Ventilation System | YES  | YES  |
|                               | Micro switches     | 2 change over  | 2 change over  |
|                               | Capillary length   | -  | up to 10 m   |
|                               | Ventilation System | Yes  | Yes  |
|                               | <b>Options</b>     | Vibration Damping  | -  |
| Thermal well                  |                    | Available  | Available  |

# Thermostats TWM

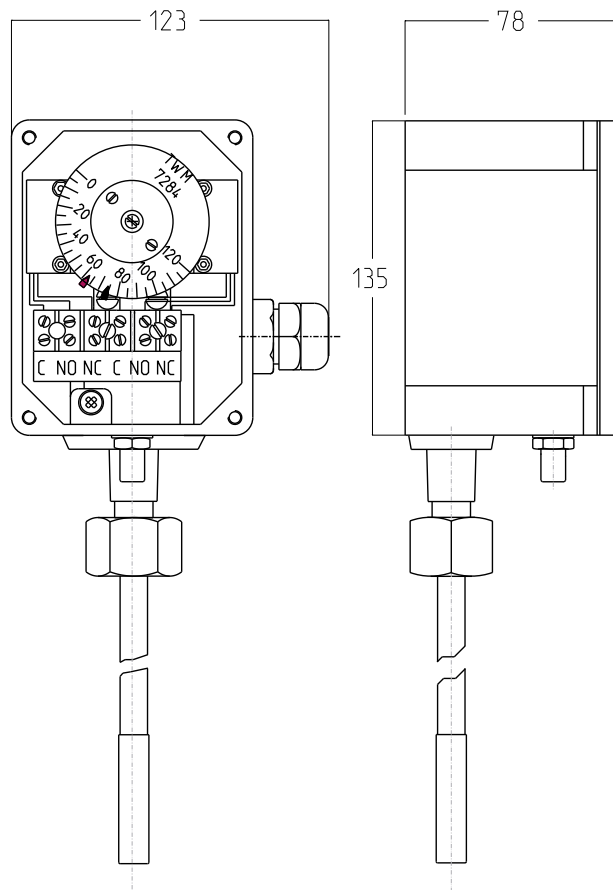
## Technical data

|                               |   |
|-------------------------------|---|
| Housing                       | Aluminum casting, RAL 7032, powder coated;<br>Corrosion protection C4-Medium acc.to ISO 12944                                   |
| Temperature sensor            | Brass   |
| Temperature sensor protection | Brass   |
| Capillary tube                | Copper capillary tube with Rilsan protection + PVC + ANSI304  |
| Cable gland                   | 1 Provided, M20 x 1.5 made of plastic (standard)  |
| Installation                  | Indoors and outdoors, tropical proof  |
| Ambient temperature           | -20°C to 80°C / -4 to 176°F   |
| Degree of protection          | IP65 in accordance with EN60529   |
| Measuring range               | -50°C / +150°C, -20°C / +140°C, 0°C / +120°C, 0°C / +150°C,   |
| Ventilation                   | Ventilation system to prevent moisture  |
| Wires                         | Min 0.25 mm <sup>2</sup> / Max 2.5mm <sup>2</sup> – advised 4x1mm <sup>2</sup> o 6x1mm <sup>2</sup> shielded twisted pair cable |
| Vibration damping             | Optional anti-vibration supports available for TWM 7287   |
| Number and types              | 2 adjustable micro switches 1 ... 2 change-over contacts  |
| Contact load                  | AC: 250V / 10A / cosΦ=1, DC: 250V / 0.25A, 125V / 0.5A, 50V / 3A, 30V / 10A (non-inductive)                                     |
| Switching accuracy            | 2% of full scale  |
| Commutation differential      | 4% of full scale  |

# Thermostats TWM

## Dimensions

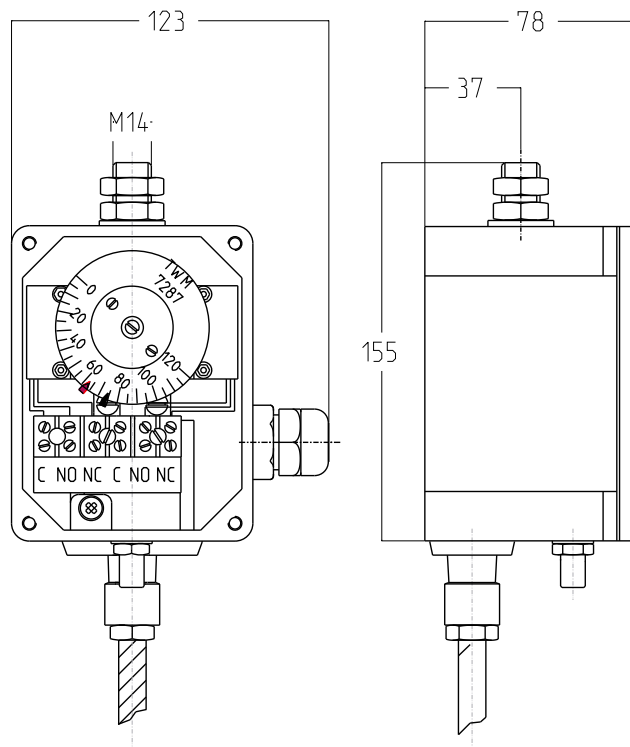
### TWM 7284



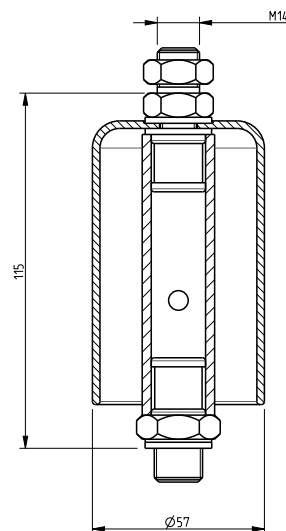
# Thermostats TWM

## Dimensions

### TWM 7287 - with rigid screw (type R)



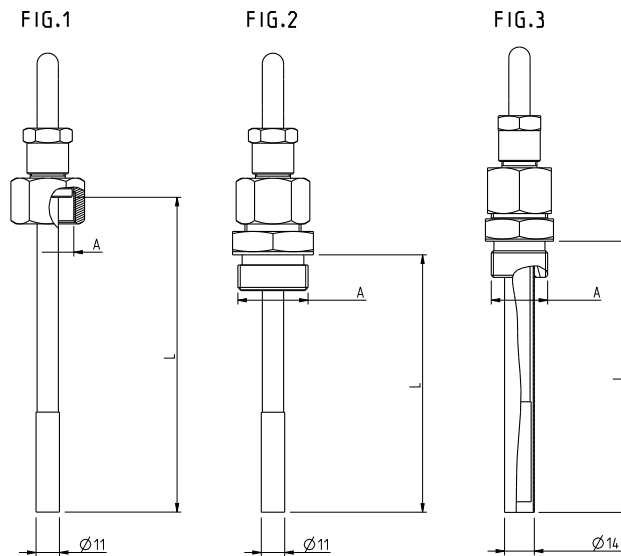
### Mounting type with Elastic suspension (Type ES)



# Thermostats TWM

## Bulb connection

Bulbs for type TWM7284 and for type TWM 7287



|   | Fig.1                   |       | Fig.2/3 |       |       |       |         |
|---|-------------------------|-------|---------|-------|-------|-------|---------|
| A | ¼"BSP                   | ½"BSP | ¼"BSP   | ½"BSP | 1"BSP | M27x2 | M22x1.5 |
| L | Min 80 mm / Std. 150 mm |       |         |       |       |       |         |

# Thermostats TWM

## Order sheet

|                    |  |
|--------------------|--|
| Date               |  |
| Rev.               |  |
| Customer reference |  |

### Type

|                              |
|------------------------------|
| TWM 7284 (without capillary) |
| TWM 7287 (with capillary)    |

### Mounting type for TWM 7287

|                              |
|------------------------------|
| Rigid screw (Type R)         |
| Elastic Suspension (Type ES) |

### Scale

|                 |               |
|-----------------|---------------|
| -50°C / +150 °C | 0°C / +120 °C |
| -20°C / +140 °C | 0°C / +150 °C |

### Type of micro switches Contact load

|                   |   |
|-------------------|---|
| Standard          | AC: 250V / 5A / cosΦ=1,<br>DC: 250V / 0.25A, 125V / 0.5A, 50V / 1A,<br>30V / 5A   |
| High Performances | AC: 250V / 10A / cosΦ=1,<br>DC: 250V / 0.25A, 125V / 0.5A, 50V / 3A,<br>30V / 10A |

### Capillary length (only for TWM 7287)

|      |
|------|
| 1 m  |
| 2 m  |
| 4 m  |
| 6 m  |
| 10 m |

### Capillary tube protection (only for TWM 7287)

|                                     |
|-------------------------------------|
| RILSAN (Standard)                   |
| Stainless steel AISI 304 (Optional) |

### Bulb type

### Note

|        |                |
|--------|----------------|
| Fig. 1 | Female         |
| Fig. 2 | Male           |
| Fig. 3 | Male with well |

### Bulb connection

### Note

|         |           |
|---------|-----------|
| ½" BSP  | -         |
| ¾" BSP  | -         |
| M22x1.5 | Male only |
| 1 BSP   | Male only |

### Bulb lenght (thread included)

|                               |
|-------------------------------|
| 150 mm (Standard)             |
| .....mm - min 80 mm (Special) |

### Cable glands

### Note

|               |                    |
|---------------|--------------------|
| N°1 x ¾" BSP  |                    |
| N°1 x M20x1.5 | Plastic (Standard) |

**COMEM SpA**

Localita' Signolo 22, S.R. 11  
36054 Montebello Vicentino  
Vicenza - Italy  
Tel +39 0444 449 311

**[www.comem.com](http://www.comem.com)**

The data and illustrations are not binding. We reserve the right to modify the contents of this document without prior notice following the technical and product developments.

Copyright 2026 COMEM. All rights reserved

**Technical guide-02-2026**