

TECHNICAL GUIDE

Temperature indicators type 1187



Content index

Application	4
Technical data	5
Dimensions.....	6
Bulb and electrical scheme	8
Order sheet.....	9

Application

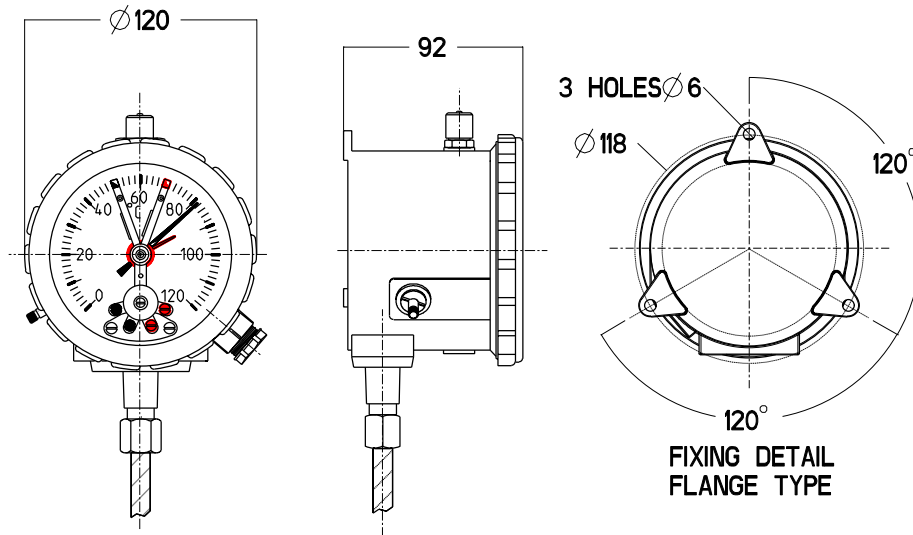
	Type	1187-100	1187-150
Standard configuration	Features	Oil temperature indicator	Oil temperature indicator
	Scale	0°C / +120°C 0°C / +160°C 0°C / +200°C	0°C / +120°C -20°C / +130°C
	Display	Glass	Glass
	Nominal diameter	Ø 100 mm	Ø 150 mm
	Micro switches	2	2
	Capillary length	up to 8 m	up to 8 m
	Draining screw	Yes	Yes
	Max pointer	Yes	Yes
Options	Vibration damping	Available (ES type)	Available (ES type)
	Thermal well	Available	Available
	Max pointer external re-arming	Available	-

Technical data

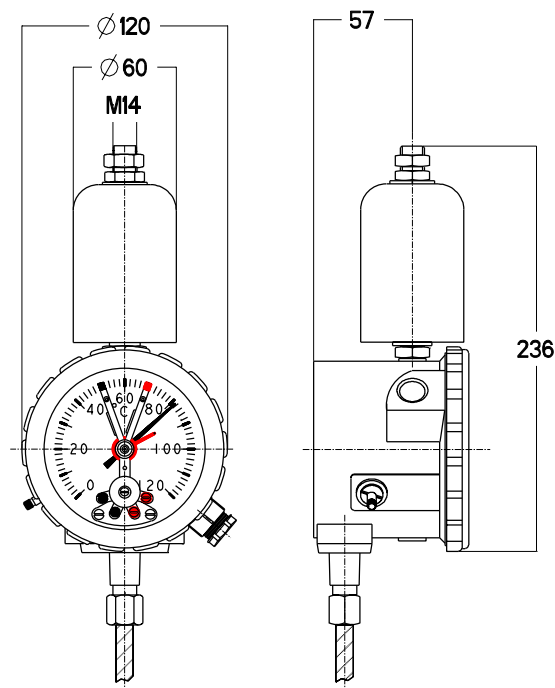
Temperature indicators	Technical data	
	Material	
Housing	Aluminum casting, RAL 7032 , powder coated; Corrosion protection C4-Medium acc.to ISO 12944	
Viewing display	Glass	
Temperature sensor	Brass	
Temperature sensor protection	Brass	
Capillary tube	Copper capillary tube with PVC protection (Standard) For scale from 0°C up to 200°C only, the first 30 cm of the capillary in copper are not covered, after the capillary is covered with polyethylene protection	
Cable gland	1; M20 x 1.5 made of plastic for 1187-100, M25*1.5 for 1187-150	
	Characteristics data	
Installation	Indoors and outdoors, tropical proof	
Ambient temperature	-20°C to 80°C	
Degree of protection	IP55 in accordance with EN60529	
Scale	1187-100	1187-150
	0°C / +120°C 0°C / +160°C 0°C / +200°C	-20°C / +130°C 0°C / +120°C
Measuring accuracy	2% of full scale	
Ventilation	Ventilation system to prevent condensation	
Wires	Min 0.25 mm ² / Max 2.5 mm ² – advised 4x1 mm ² o 6x1 mm ² shielded twisted pair cable	
Vibration damping	Optional anti-vibration supports available (ES type)	
Externally adjustable maximum pointer	Available only for 1187-100	
	Micro switches	
Number and types	2 adjustable micro switches (2 Normal open or 2 Normal close contacts)	
Contact load (standard)	AC: 380V / 28 mA / cosΦ=1, DC: 380V / 23 mA, 220V / 40 mA, 110 V / 80 mA, 50V / 130 mA, (non-inductive) - (On customers request can be provide contacts with higher performances see pag. 7, suitable for seismic area)	
Rated insulation voltage	2000 V AC/1 min, terminals to ground	
Switching accuracy	2% of full scale	

Dimensions

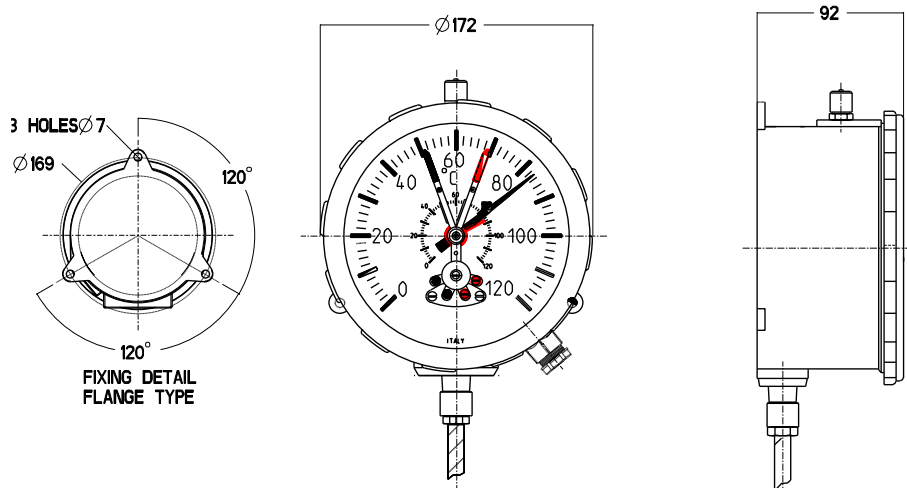
1187-100
Flange connection (type F)



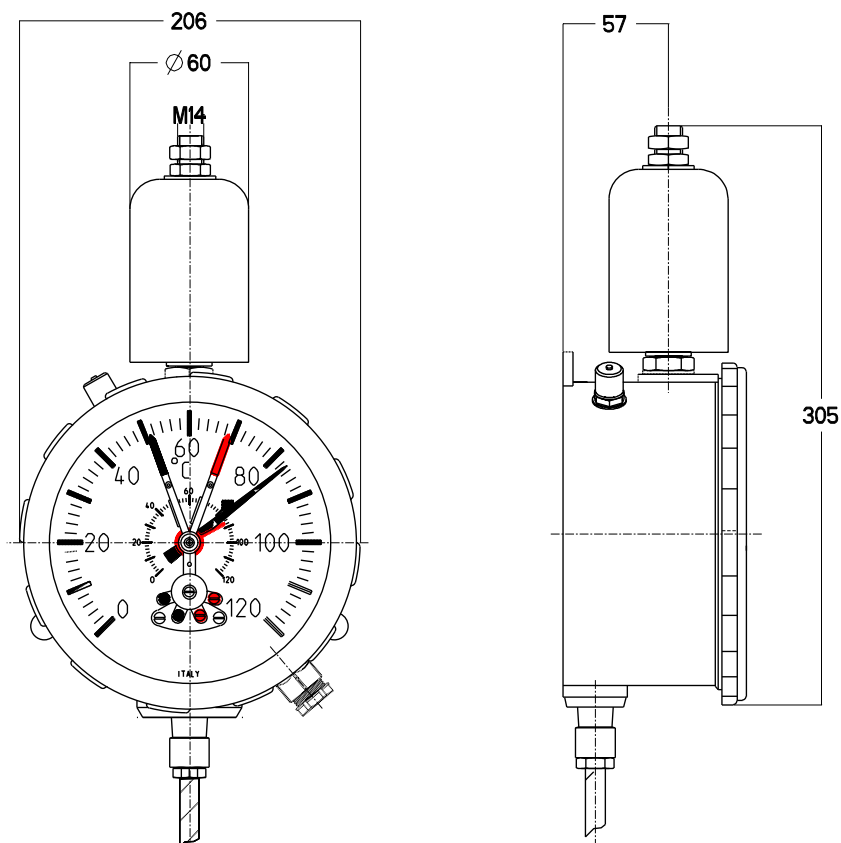
1187-100
Elastic suspension (Type ES)



1187-150
Flange connection (type F)

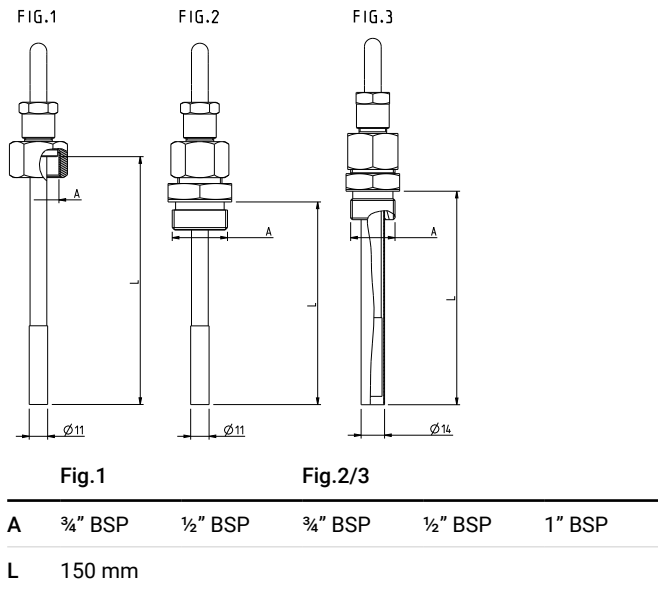


1187-150
Elastic suspension (type ES)

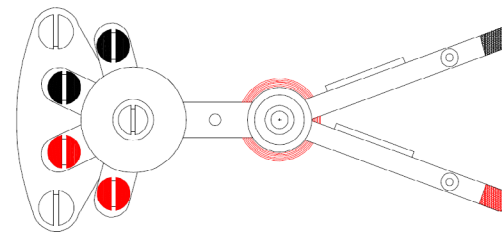


Bulb and electrical scheme

Bulb



Contacts



Black color	Alarm contact
Red color	Trip contact
Types	2 x NO
	2 x NC

NO: Normal open
NC: Normal close

Contacts performances

Standard execution (making and breaking capacity)

Voltage (V)	AC	DC	Inductive load
380	28 mA	23 mA	15 mA
220	46 mA	40 mA	22 mA
110	90 mA	80 mA	45 mA
50	170 mA	130 mA	70 mA

Magnetic electrical contact (making and breaking capacity)

Voltage (V)	AC	DC	Inductive load
380	80 mA	70 mA	45 mA
220	140 mA	125 mA	65 mA
110	275 mA	240 mA	130 mA
50	500 mA	380 mA	200 mA

Order sheet

Date	
Rev.	
Customer reference	

Nominal dial diameter

<input type="checkbox"/>	Ø 100
<input type="checkbox"/>	Ø 150

Mechanical connection

<input type="checkbox"/>	Flange connection	Type F
<input type="checkbox"/>	Elastic Suspension	Type ES

Scale

1187-100		1187-150	
<input type="checkbox"/>	0°C / +120°C	<input type="checkbox"/>	-20°C / +130 °C
<input type="checkbox"/>	0°C / +160°C	<input type="checkbox"/>	0°C / +120°C
<input type="checkbox"/>	0°C / +200°C	<input type="checkbox"/>	

Contact type

<input type="checkbox"/>	2 x NO
<input type="checkbox"/>	2 x NC

Capillary length

<input type="checkbox"/>	2 m
<input type="checkbox"/>	4 m
<input type="checkbox"/>	6 m
<input type="checkbox"/>	8 m

Bulb type

Note

<input type="checkbox"/>	Fig. 1	Female
<input type="checkbox"/>	Fig. 2	Male
<input type="checkbox"/>	Fig. 3	Male with well

Bulb connection

Note

<input type="checkbox"/>	½" BSP	-
<input type="checkbox"/>	¾" BSP	-
<input type="checkbox"/>	1 BSP	Male only

Cable glands

Note

<input type="checkbox"/>	1 x M20x1.5	Plastic (Ø100 only)
<input type="checkbox"/>	1 x M25x1.5	Plastic (Ø150 only)

COMEM SpA

Localita' Signolo 22, S.R.11
36054 Montebello Vicentino
Vicenza - Italy
Tel +39 0444 449 311

www.comem.com

The data and illustrations are not binding. We reserve the right to modify the contents of this document without prior notice following the technical and product developments.

Copyright 2025 COMEM. All rights reserved

Technical guide-01-2025