

TECHNICAL GUIDE

Relay type R1



Content index

Application	4
Technical data	5
Dimensions.....	6
Order sheet.....	7

Application

	Standard features												Options	
Type	Hermetic transformer (Fig.1)	Rubber bag failure detection (Fig.2)	Pipe nominal diameter	Holes x Ø (mm)	Wheelbase (mm)	Discharge valve	Pneumatic valve	Max nr. of contacts	Mechanical test button	Alarm/Trip contact test available from ground level	Corrosion protection: C4 Moderate salinity (ISO 12944)	Gas accumulation for alarm (ml)	Gas accumulation for trip (ml)	Corrosion protection: • C5 Offshore (ISO 12944) • CX acc.to ISO 12944 (RAL 7035)
R1	●	●	25	n°4 x Ø 11.5	Ø 75	●	●	2	●	●	●	75-100	190-250	●

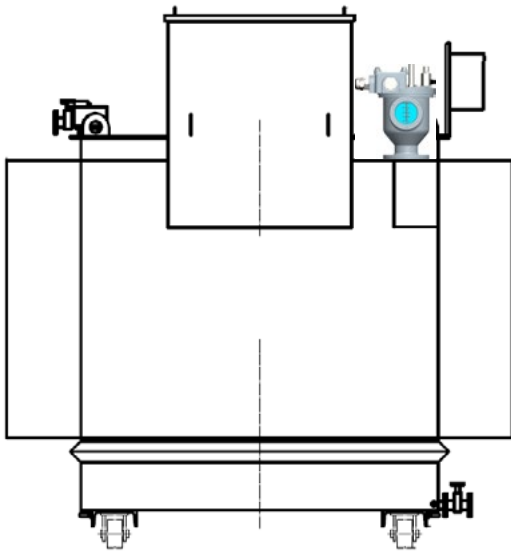


Fig. 1

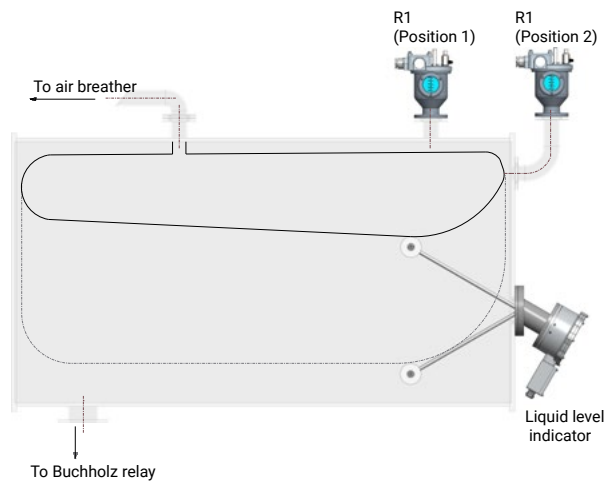


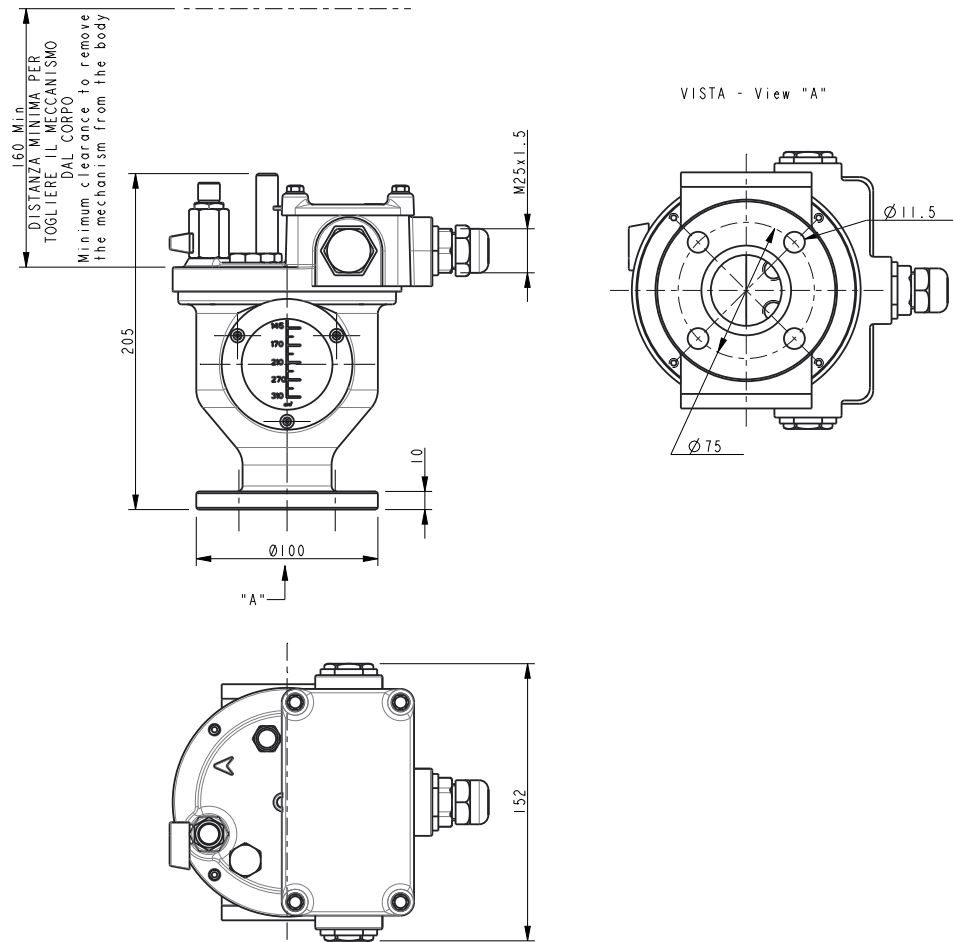
Fig. 2

Technical data

Relay R1	Technical data
Material	
Housing and upper part inclusive terminal box	Aluminum casting, RAL 7032, powder coated; (surface treatment, not painted) Offshore model on request
Characteristics data	
Standard	IEC 60076-22-1
Installation	Indoors and outdoors, tropical proof
Ambient temperature	-40°C to 80°C / -40°F to 176°F
Oil temperature	-40°C to 115°C / -40°F to 239°F
Degree of protection	IP65 in accordance with EN60529 (on demand IP66)
Rated insulation voltage	2.5 kV AC 1 min between contact and earth
Nominal tube diameter	DN25
Protected reed switch	
Number and types	2 normally open (NO) contacts
Nominal voltage	24 – 230 VAC/DC
Max nominal current	2A
Min switching current	10 mA/24 VDC (for lower current are available the golden contact)
Max breaking capacity DC	250W (L/R<40 ms)
Max breaking capacity AC	400 VA (cosφ>0.5)
Rated insulation voltage	2.5 kV AC 1 min between contacts and earth, 1.0 kV AC 1 min between open contacts
Insulation resistance	1000 Mohm/500 VDC
Connection	
Connection terminals	Min 0.25 mm ² / max. 4 mm ²
Cable gland	N°2 x M25 x 1.5
Mechanical test	
Sinusoidal (EN 60721-3-4)	cl.4M4: 2-9 Hz (6 mm peak to peak), 9 – 200 Hz (1 g) – All axis
Shock	cl.4M4: 10 g (11 ms) in all the directions (EN60721-3-4)

Dimensions

R1



Weight: 1.9 Kg

Order sheet

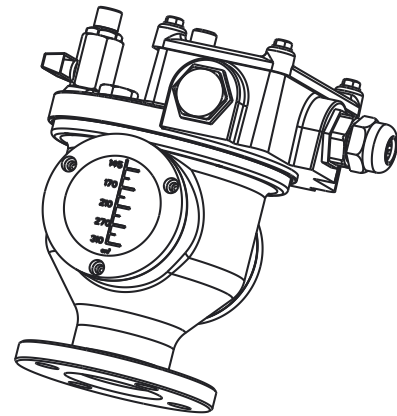
Date	
Rev.	
Customer reference	

Gasket material

<input type="checkbox"/>	NBR (from -40°C upto +120°C) Standard
<input type="checkbox"/>	HNBR (From - 40°C upto +140°C)
<input type="checkbox"/>	Viton (from -10°C upto +150°C)
<input type="checkbox"/>	Fluorosilicone (from -60°C upto +200°C)

Corrosion protection class

<input type="checkbox"/>	C4 acc. to ISO 12944 (Standard)
<input type="checkbox"/>	C5 Medium acc. to ISO 12944 (Not paintable)
<input type="checkbox"/>	CX acc.to ISO 12944 (RAL 7035)



COMEM SpA

Localita' Signolo 22, S.R.11
36054 Montebello Vicentino
Vicenza - Italy
Tel +39 0444 449 311

www.comem.com

The data and illustrations are not binding. We reserve the right to modify the contents of this document without prior notice following the technical and product developments.

Copyright 2026 COMEM. All rights reserved

Technical guide-02-2026